





At A Glance

-  **Protection: Primary**
-  **Feed Type: Conveyor**
-  **Material Type: NdFeb**
-  **Cleaning Type: Automatic**

Our high intensity drum magnet is ideal for the continuous removal of tramp ferrous contamination from any dry bulk material and is regularly installed in the most arduous of environments.

Drums should be fitted at the discharge end of conveyors or vibratory feeders. High performance Rare Earth magnets are incorporated within a stainless steel wear resistant drum shell. Cleaning is continuous: the drum rotates taking contamination away from the static magnets.

Units are available for all product volume flows ranging from 5–500m³ / hr and a contamination loading of up to 50% of the total product volume.



Benefits

- Reduces spark risk
- Allows difficult products to be screened
- Continuous self cleaning
- High volume capacity
- Removes large to medium sized contamination

Performance

Magnetic Performance	3,500 Gauss
Magnetic field depth	215mm Dia. = 85mm, 315mm Dia. = 100mm 400mm Dia. = 150mm*
Temperature	-5°C / +40°C

Suitability

Suitable Products	Dry powders, granulates, grain and sand etc.
Suitable Location	End of conveyor belt, vibratory feeder or in-line chute sections

Materials

Magnetic Material	Rare Earth Neodymium Iron Boron - (NdFeb)
Drum Shell	304 grade stainless steel

Cleaning

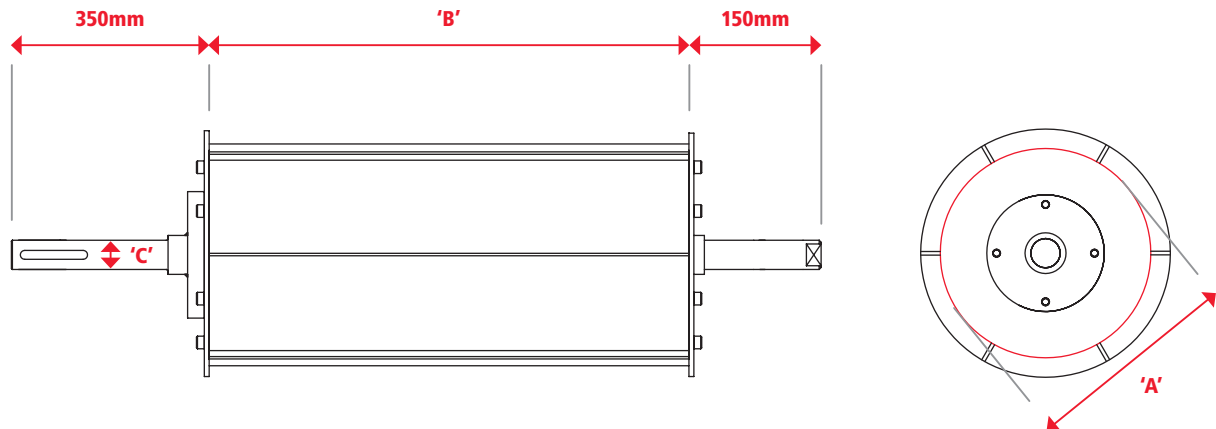
As the drum rotates, carry-over fins move the contamination to the rear of the drum where the magnetic area ends where the contamination falls in the opposite direction of the material being processed. The drum rotates at between 20–25 RPM ensuring that even the most heavily contaminated product can be separated.

Options

- 316 grade stainless steel
- ATEX certified
- Replaceable wear skin
- Higher temperature versions available

*Mild steel test piece Ø 5mm x 25mm long

Drum Magnet



Part Number	Diameter A (mm)	B (mm)	Diameter C (mm)	Weight (kg)
DMN2140	215	400	30	60
DMN2150	215	500	30	72
DMN2160	215	600	30	84
DMN2170	215	700	30	96
DMN2180	215	800	30	108
DMN2190	215	900	30	120
DMN21100	215	1000	40	132
DMN3140	315	400	40	82
DMN3150	315	500	40	84
DMN3160	315	600	40	108
DMN3170	315	700	40	122
DMN3180	315	800	40	136
DMN3190	315	900	40	150
DMN31100	315	1000	40	154
DMN4040	400	400	50	125
DMN4050	400	500	50	140
DMN4060	400	600	50	155
DMN4070	400	700	50	170
DMN4080	400	800	50	185
DMN4090	400	900	50	200
DMN40100	400	1000	50	215

For non-standard sizes, please contact info@mobergs.com